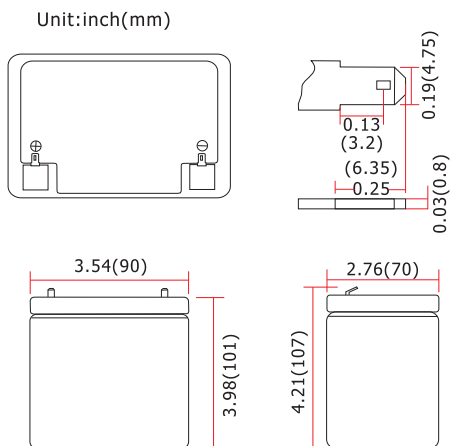


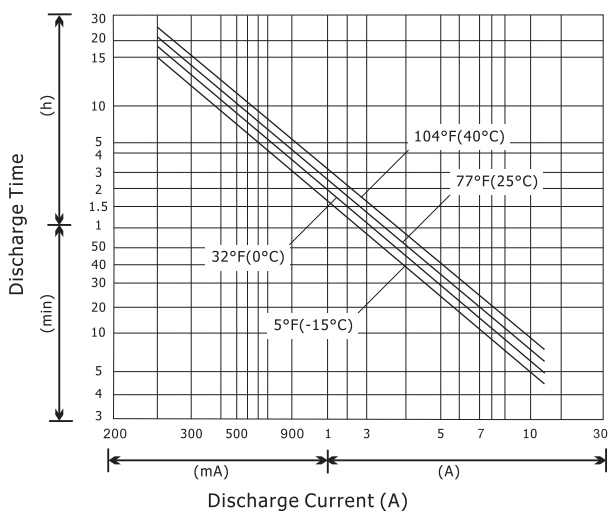


- GEL Battery
- High rate Battery
- Deep-cycle Battery
- Valve Regulated Lead-Acid Battery
- Maintenance Free Lead-Acid Battery

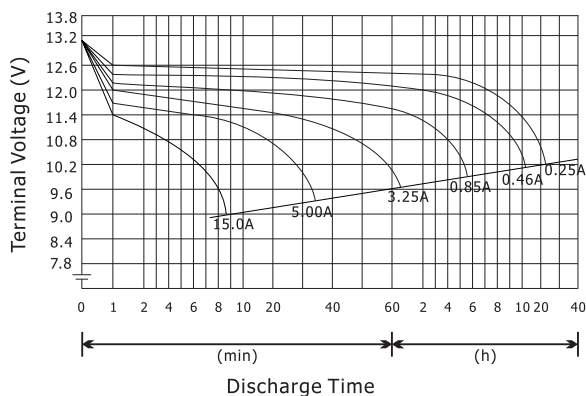
PL5-12



Discharge Current and Discharge Duration Time



Discharge Curves 77°F(25°C)



Specification

Nominal Voltage	12V	
Rated Capacity (20hr Rate)	5Ah	
Dimensions	Length	3.54inches(90mm)
	Width	2.76inches(70mm)
	Height	3.98inches(101mm)
	Total Height	4.21inches(107mm)
Weight	Approx. 3.43lbs (1.56kg)	
Characteristics		
Capacity 77°F(25°C)	20hour rate (0.25A)	5.00Ah
	10hour rate (0.46A)	4.60Ah
	5hour rate (0.85A)	4.25Ah
	1hour rate (3.25A)	3.25Ah
Internal Resistance	Full Charged, 77°F(25°C)	25mΩ
Capacity Affected By Temperature (10hr Rate)	104°F(40°C)	102%
	77°F(25°C)	100%
	32°F(0°C)	85%
	5°F(-15°C)	65%
Self-Discharge 77°F(25°C)	Capacity after 3 month storage	90%
	Capacity after 6 month storage	80%
	Capacity after 9 month storage	60%
Charge (Constant Voltage)	Initial Charge Current "LESS" than 1.50A	
	Cycle	14.4-15.0V/77°F(25°C)
	Stand By	13.5-13.8V/77°F(25°C)

**These data are average values obtained from three Charge/Discharge cycles. Note: These are NOT minimum values.